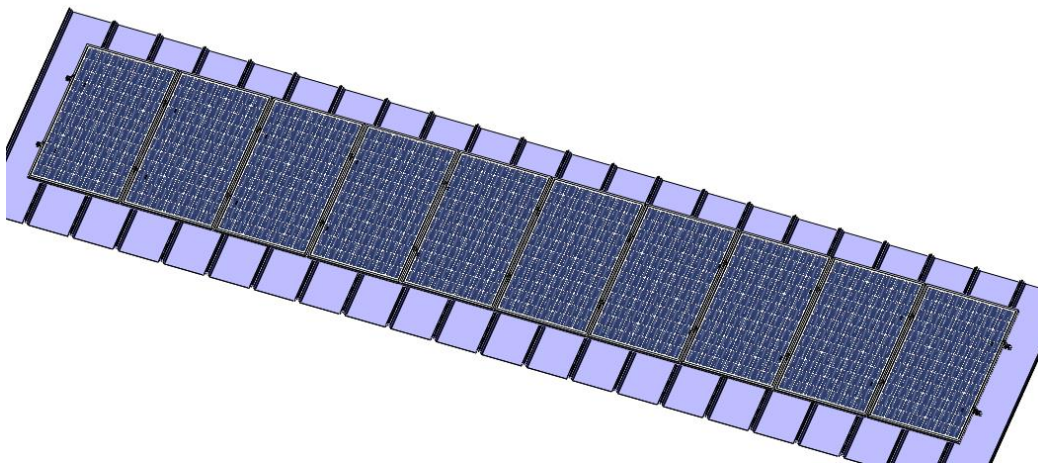




Mibet (Xiamen) New Energy Co., Ltd.

Installation Guide

-- Standing Seam 8 Corrugated Metal Roof Mounting System



Installation Tools

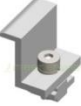

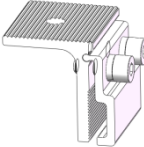
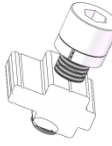
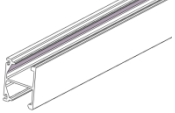
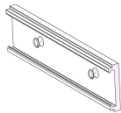
- 14mm monkey spanner, 6mm Allen key, tapeline
- Marker pen to mark installation place
- Thin nylon cord -- length 120m, diameter 0.5mm
- Infrared calibrator



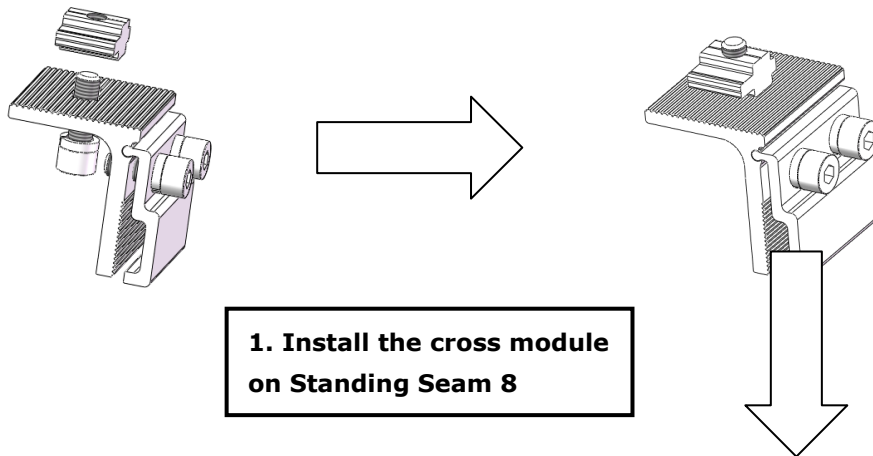
Mibet (Xiamen) New Energy Co., Ltd.

Installation

1. Components

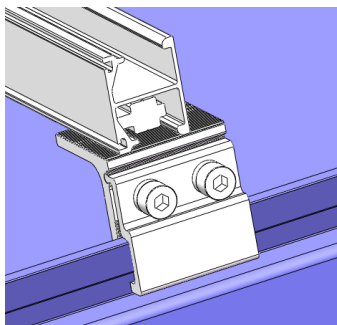
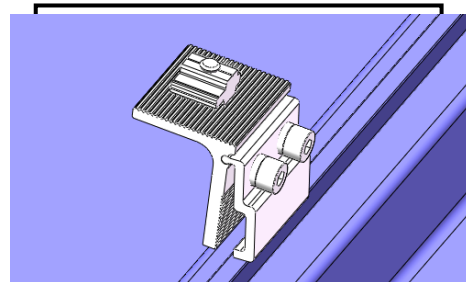
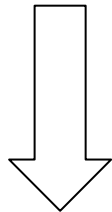
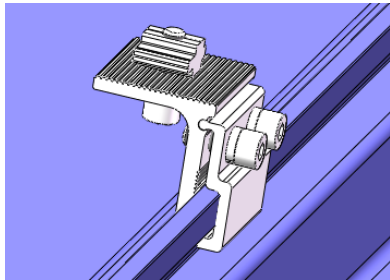
Main Components					
 End Clamp	 Inter Clamp	 Standing Seam 8	 Cross Module	 Light Symmetry Rail	 Splice

2. Installation Steps

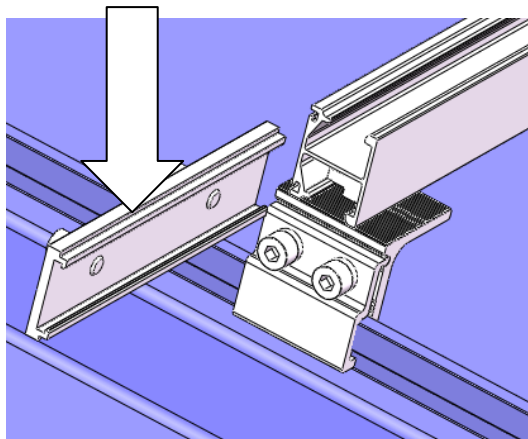




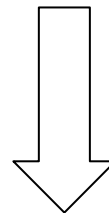
Mibet (Xiamen) New Energy Co., Ltd.



**3. Mount light symmetry rails
on cross modules.**

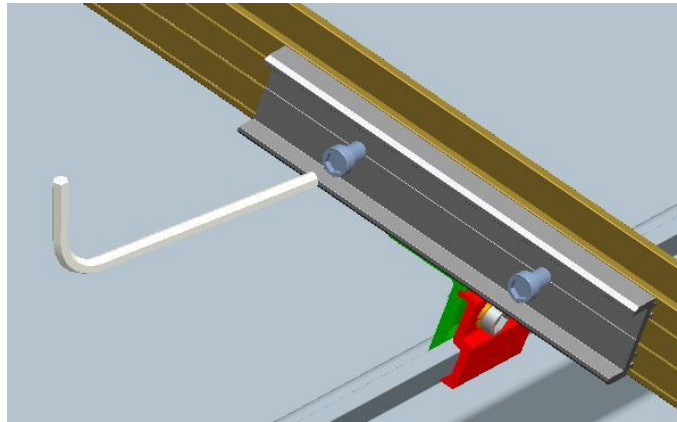


**4. Insert the splice into the grooves
and slide it for 75 millimeters**

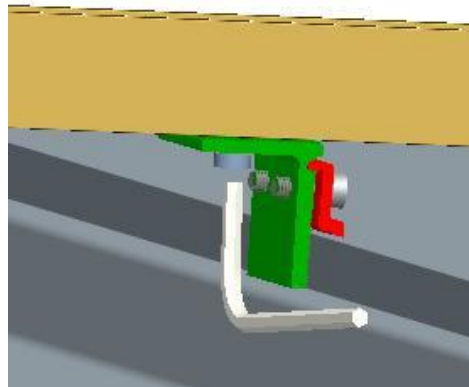
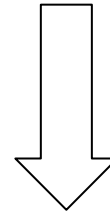




Mibet (Xiamen) New Energy Co., Ltd.



5. Connect two rails by one splice, and fasten the bolts. The tightening torque shall be 20N.m

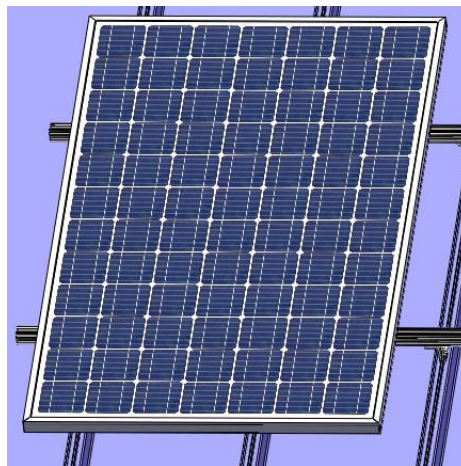
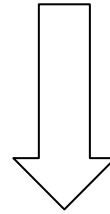
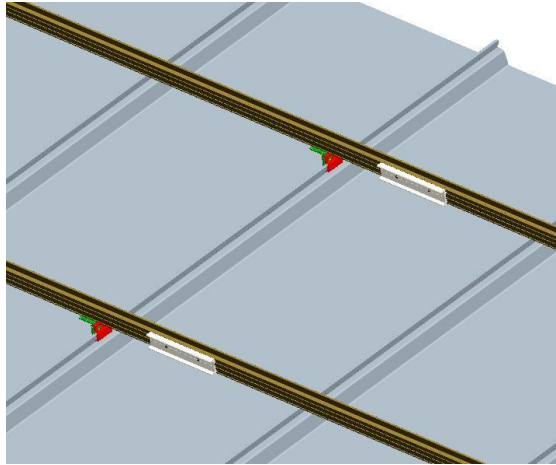


6. Fasten the bolts of cross modules. The tightening torque shall be 20N.m





Mibet (Xiamen) New Energy Co., Ltd.

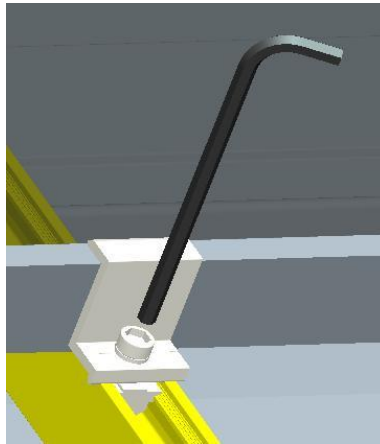


7. Put the panels on rails on portrait orientation.

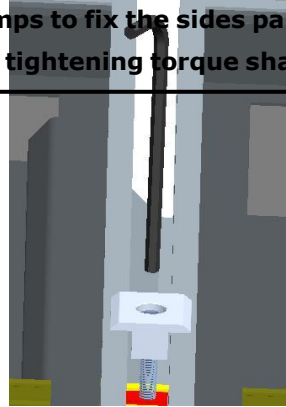




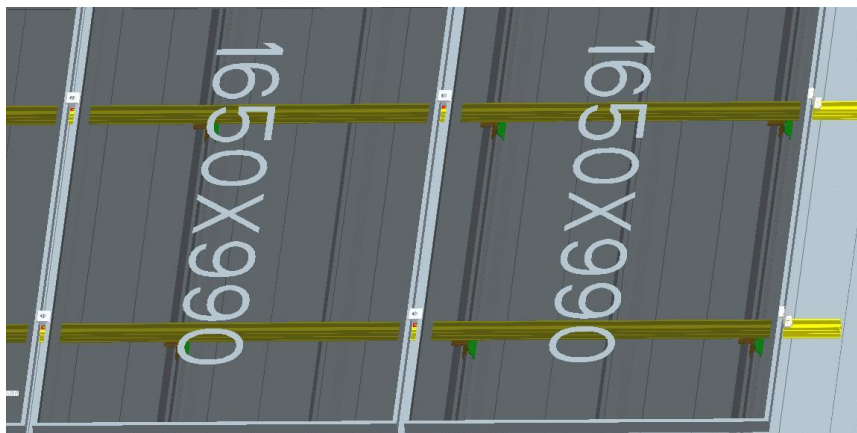
Mibet (Xiamen) New Energy Co., Ltd.



8. Fasten the bolts of end clamps to fix the sides panels. The tightening torque shall be



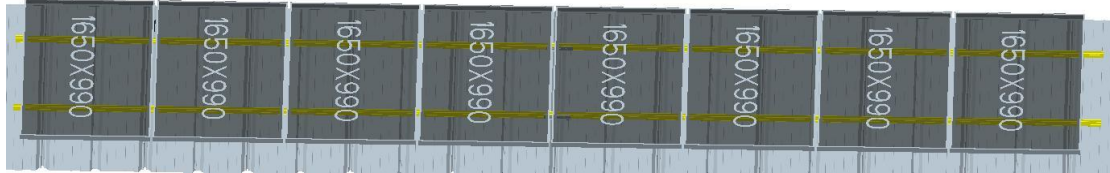
9. Put one inter clamp between two panels and fasten its bolt. The tightening torque shall be



10. Fix the sides of panels like step 8. The tightening torque shall be 20N.m



Mibet (Xiamen) New Energy Co., Ltd.



11. Inspect again after finishing installation.